



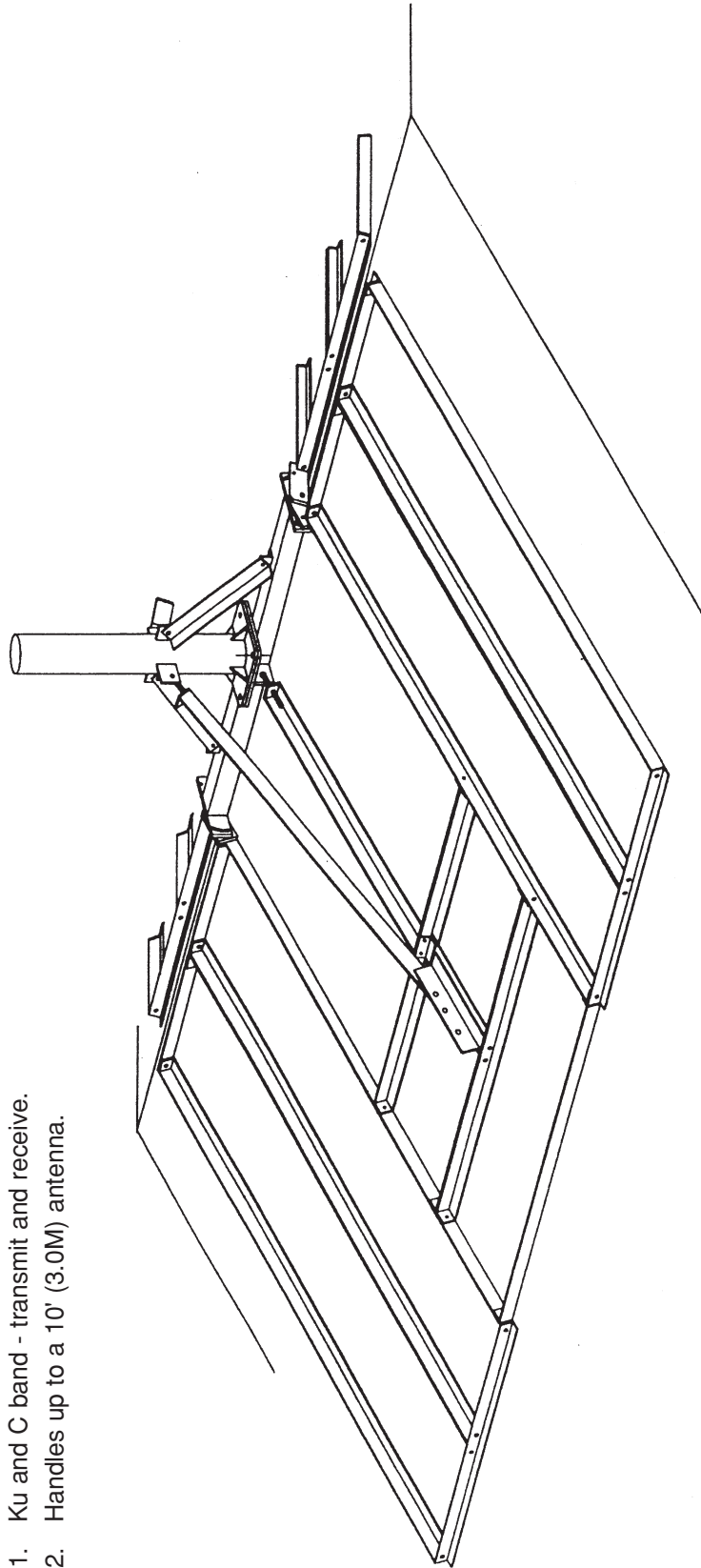
BAIRD Non-Penetrating and Penetrating Support System
UNIVERSAL RIDGEMOUNT 10D

Engineered for durability, simplicity and flexibility.

1. Sets up fast.
2. Easily adjusted to roof pitch.
3. Hot dip galvanized for superior protection.

TYPICAL USAGE:

1. Ku and C band - transmit and receive.
2. Handles up to a 10' (3.0M) antenna.





BAIRD Non-Penetrating and Penetrating Support System UNIVERSAL RIDGEMOUNT 10D

Handles up to 10' (3.0M) antenna.

** However, in cases where the wind velocity, building height and exposure level combine to cause severe wind loading, the Universal Ridgemount 10 may not be recommended for a 10' (3.0M) antenna.

PRODUCT SPECIFICATIONS

1. Hot dip galvanized for superior protection.
3. Footprint - 13.3' x 12.8' = 170.2 sq.ft.
4. Mast Diameter - as required.
5. Mast Height - as required.
6. Mount will adjust from flat to a 6/12 pitch.

OPTIONAL BLOCK TIEDOWNS ARE AVAILABLE

