



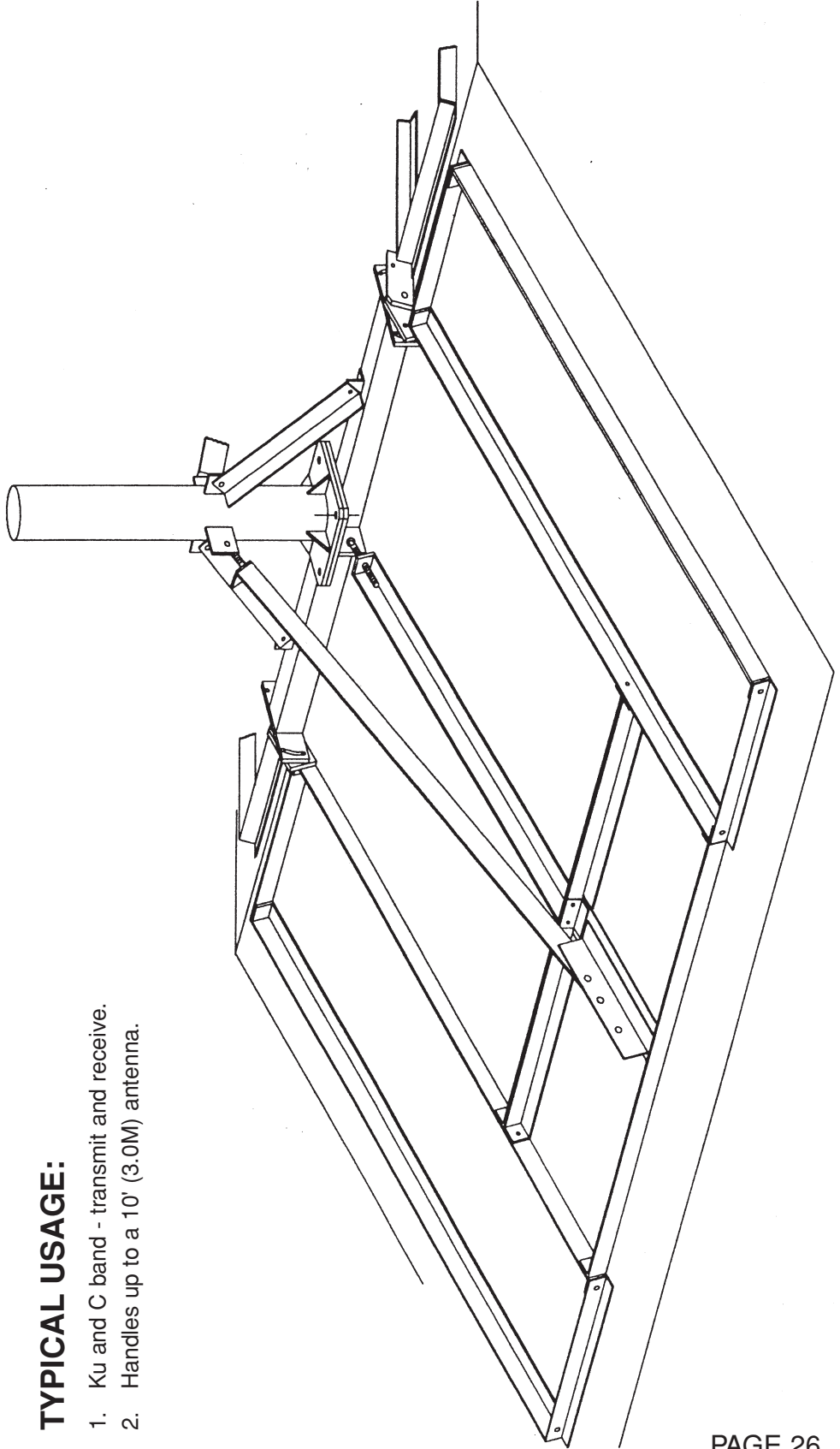
## BAIRD Non-Penetrating and Penetrating Support System **UNIVERSAL RIDGEMOUNT 10**

Engineered for durability, simplicity and flexibility.

1. Sets up fast.
2. Easily adjusted to roof pitch.
3. Hot dip galvanized for superior protection.
4. Ballast obtained locally.

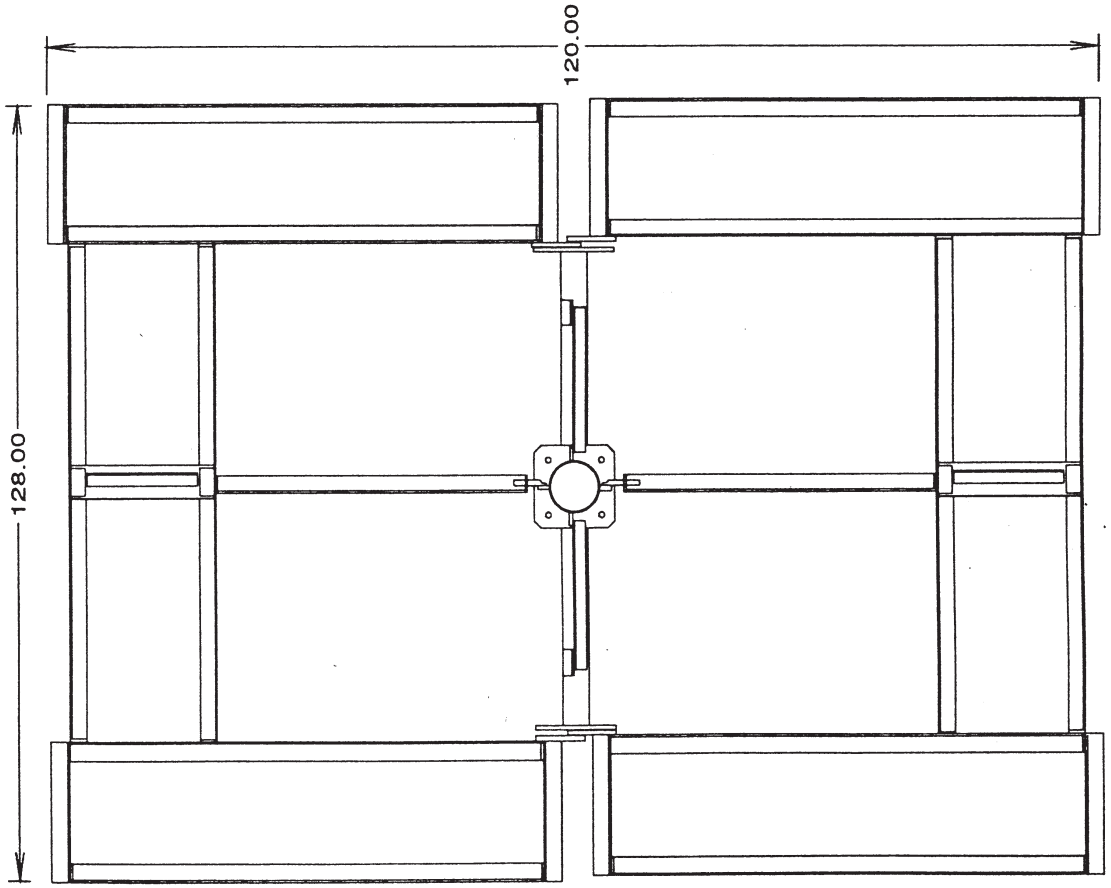
### **TYPICAL USAGE:**

1. Ku and C band - transmit and receive.
2. Handles up to a 10' (3.0M) antenna.





# BAIRD Non-Penetrating and Penetrating Support System UNIVERSAL RIDGEMOUNT 10



**Handles up to 10' (3.0M) antenna.**  
\*\* However, in cases where the wind velocity, building height and exposure level combine to cause severe wind loading, the Universal Ridgemount 10 may not be recommended for a 10' (3.0M) antenna.

### PRODUCT SPECIFICATIONS

1. Constructed of high test steel.
2. Hot dip galvanized for superior protection.
3. Footprint - 10' x 10.7' = 107 sq.ft.
4. Mast Diameter - as required.
5. Mast Height - as required.
6. Mount will adjust from flat to a 6/12 pitch.
7. When ordering please specify the type of mount polar or AZ/EL. Polar mounting systems are equipped with a leveling device to plumb the O.D. pipe.

OPTIONAL BLOCK TIEDOWNS ARE AVAILABLE

