



BAIRD Non-Penetrating and Penetrating Support System

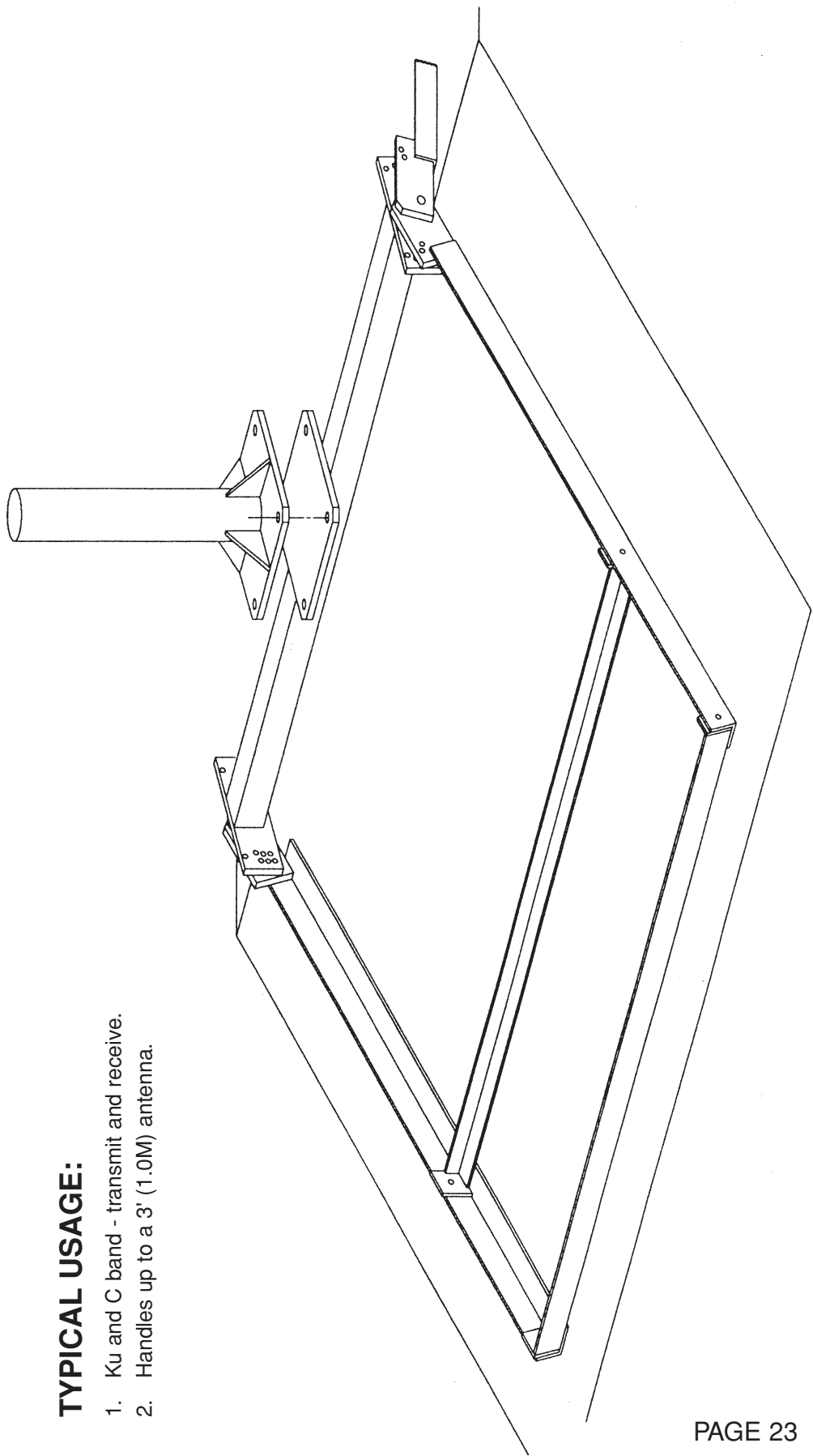
SS-RIDGEMOUNT

Engineered for durability, simplicity and flexibility.

1. Sets up fast.
2. Easily adjusted to roof pitch.
3. Hot dip galvanized for superior protection.
4. Ballast obtained locally.

TYPICAL USAGE:

1. Ku and C band - transmit and receive.
2. Handles up to a 3' (1.0M) antenna.





PRODUCT SPECIFICATIONS

MODEL: SS-RIDGEMOUNT (SS-RM)

Non-Penetrating, ridgemount or flat roof antenna supporting system.

TYPICAL USAGE

1. Handles up to a 3' (1.0M) antenna.
2. Ku & C band - transmit and receive.
3. Footprint - 4' x 6.6' = 26.4 sq.ft.
4. The mount adjusts to fit 2/12 through 7/12 roof pitches. The mount can also be locked into the flat position.
5. UPS shippable.

Finish - Hot dip galvanized
Mast Diameter - 4-1/2" O.D. max.
Mast Height - 2' max. (most cases)

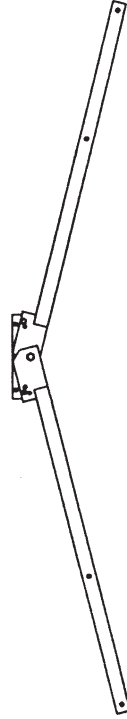
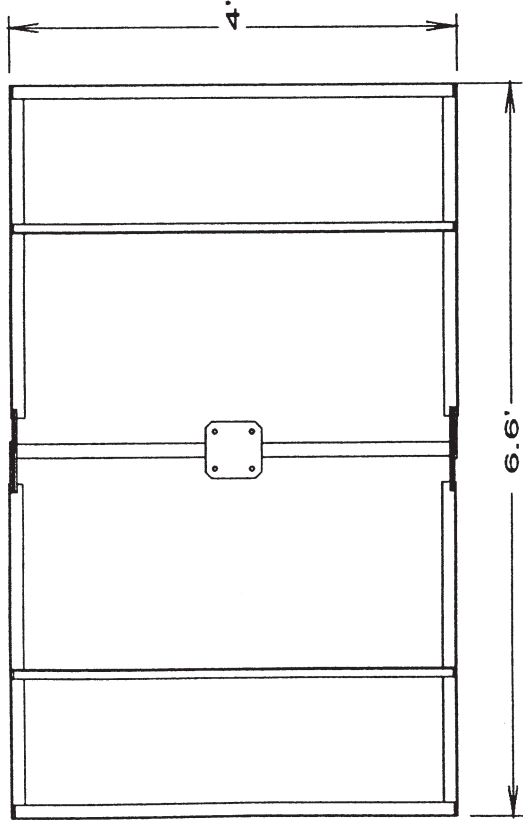
Ballast required will be recommended based on antenna diameter, type and survival requirements.

It is the customer's responsibility to see that all applicable codes are satisfied. It is suggested that a structural engineer review the application of this product.

An engineering report is available to assist with determining the proper amount of ballast.

A pad can be supplied to isolate the mount from the roof surface.

Under extreme wind conditions the mount should be tethered with cable.



MOUNT ADJUSTS TO FIT 2/12 THRU 7/12 ROOF PITCHES. MOUNT CAN ALSO BE LOCKED IN THE FLAT POSITION.