

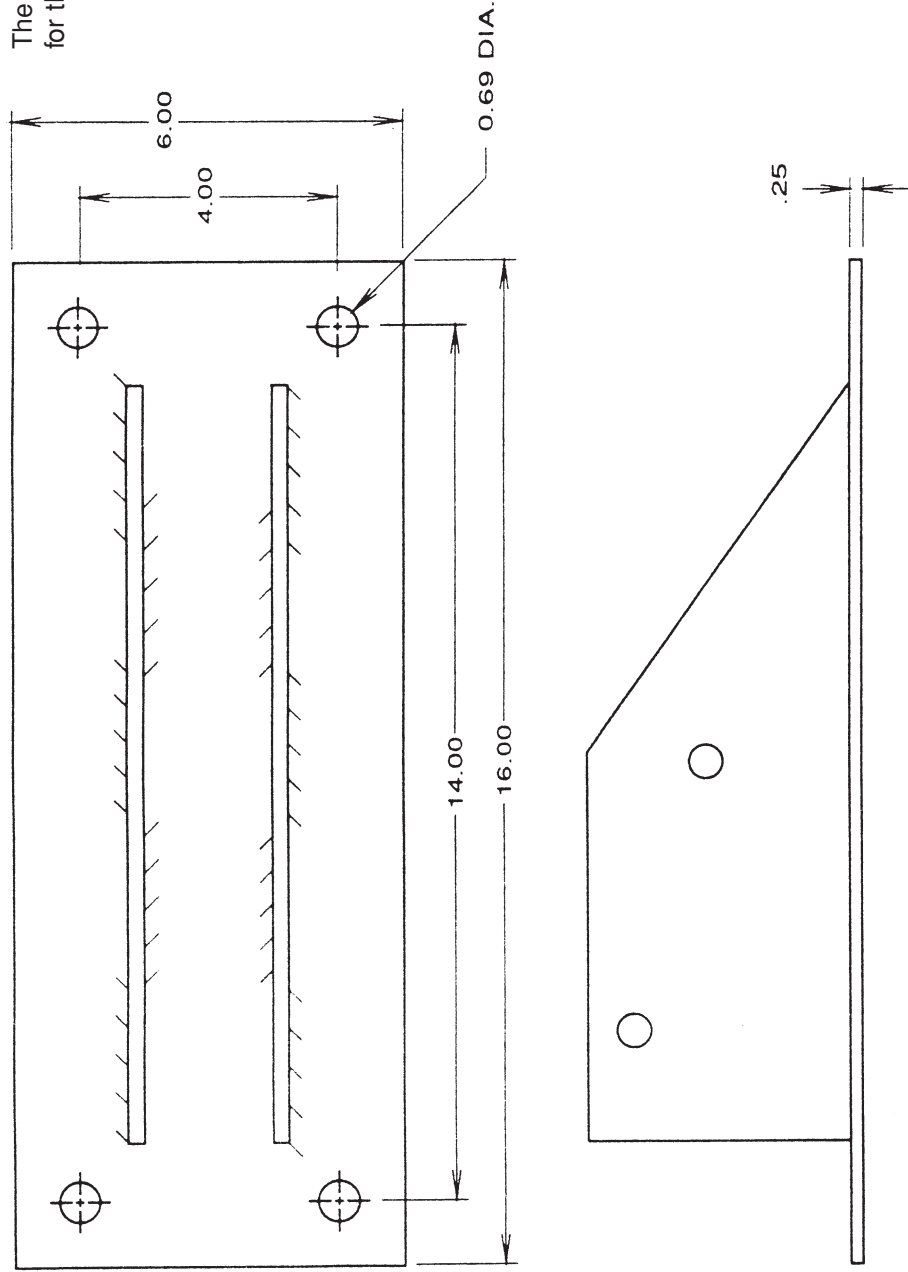


BAIRD Penetrating Supporting System

The penetrating foot option is available for most of our non-penetrating supporting systems. The penetrating foot allows the mounting system to be bolted to the roof or slab, instead of using the ballast pads with concrete blocks.

The penetrating foot option is available for the following models:

- PS-10
 - PL-10
 - PL-2
 - PXL-2
 - PXL-2 EHD
- VS-10
 - VL-10
 - VL-4
 - PXL-2 HD



PENETRATING FOOT