



BALLAST PAD OPTIONS

Many of our non-penetrating mounts are available with ballast pad options.

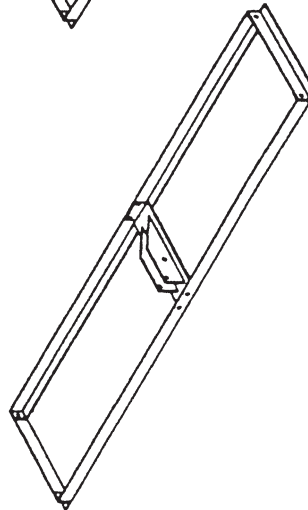
6' Ballast Pads are standard on the following mounts:

- PL-2
- VL-4
- PXL-2
- PXL-2 HD
- PXL-2 EHD

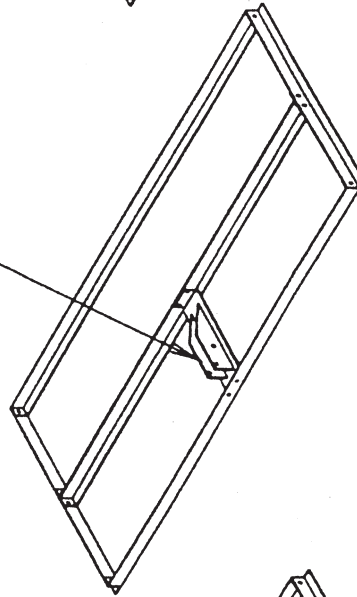
8' Ballast Pads are standard on the following mounts:

- B6-11
- PS-10
- VS-10
- PL-10
- VL-10

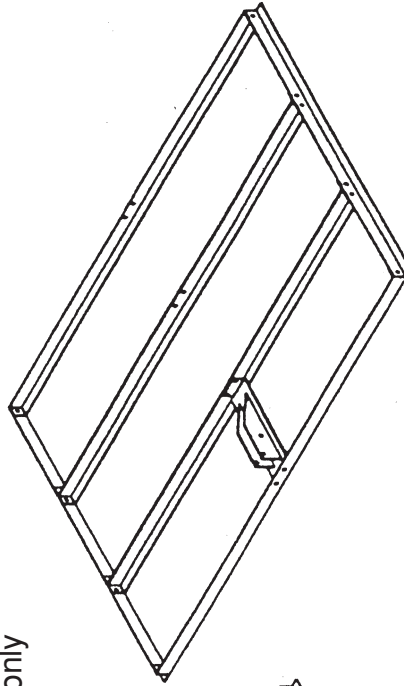
Mount foot shown for reference only



1'4" x 6'
OR
1'4" x 8'



2'8" x 6'
OR
2'8" x 8'



4' x 6'
OR
4' x 8'