



**PRODUCT SPECIFICATIONS**

**MODEL: WL-2(23")**  
**Wall Mounting System**

**TYPICAL USAGE**

Wall mount system (Note: A structural engineer should review the application and determine if the wall is capable of supporting the additional loads imposed by the mounting system and antenna.

Handles up to and including a 3.0M antenna for Ku & C band - transmit and receive.

The customer must determine if the 23" offset provides the clearances necessary for proper alignment and/or operation of their antenna.

**SPECIFICATIONS**

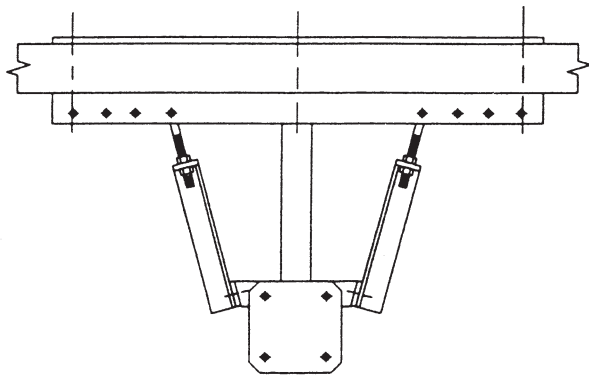
The mount is made of structural steel:  
Flats/Angles/Channels: A36  
Tubing: A500 GR.B

All parts are hot dip galvanized after fabrication.

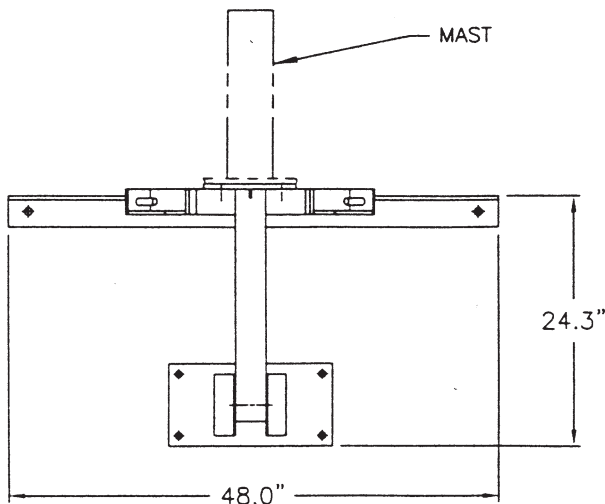
Hardware is zinc plated.

Masts available up to 6.62" O.D.  
Typical mast length is 2' or 3'.

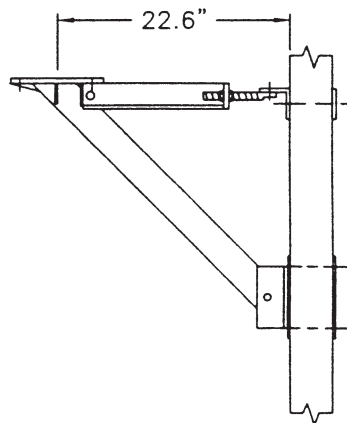
Mount comes with a through wall mounting kit consisting of an upper & lower back plate and 16" long threaded rod bolts.



TOP VIEW



FRONT VIEW



SIDE VIEW