

BAIRD Penetrating Support System

MODEL: LR-2

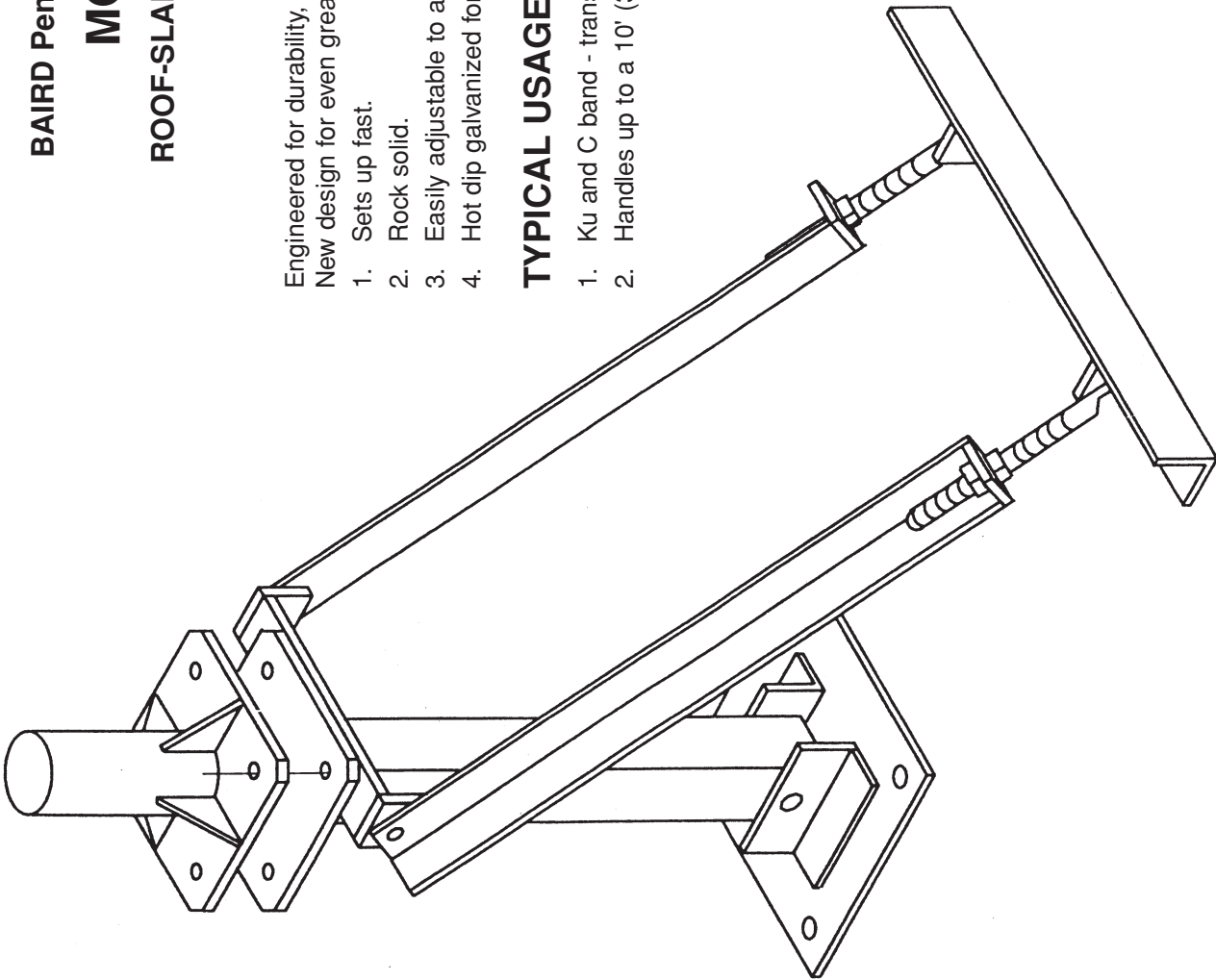
ROOF-SLAB PENETRATING MOUNT

Engineered for durability, simplicity and flexibility.
New design for even greater stability.

1. Sets up fast.
2. Rock solid.
3. Easily adjustable to any surface or angle.
4. Hot dip galvanized for superior protection.

TYPICAL USAGE:

1. Ku and C band - transmit and receive.
2. Handles up to a 10' (3.0M) antenna.



BAIRD Non-Penetrating Support System

MODEL: LR-2

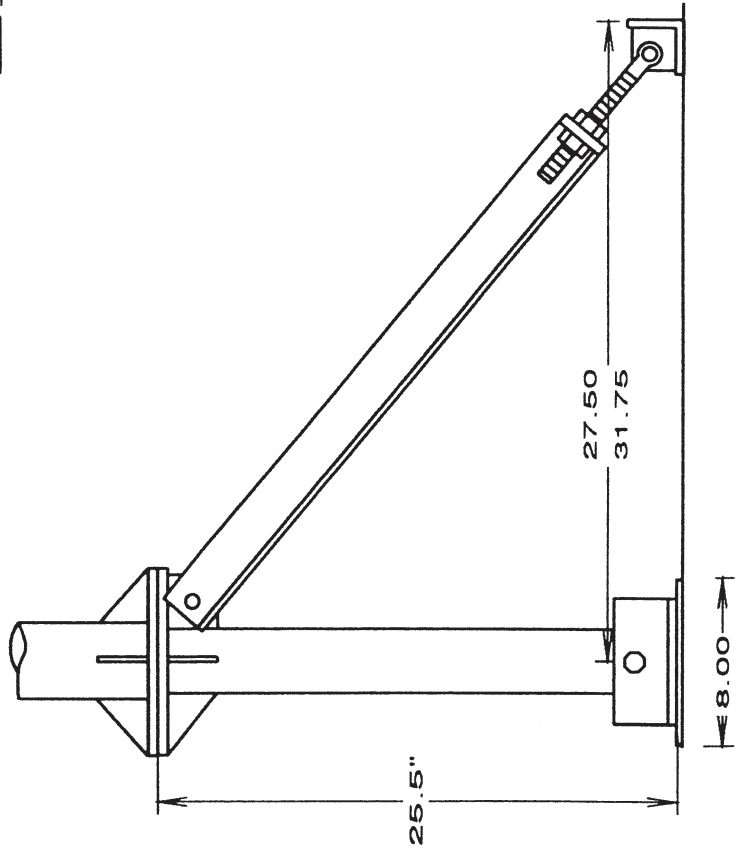
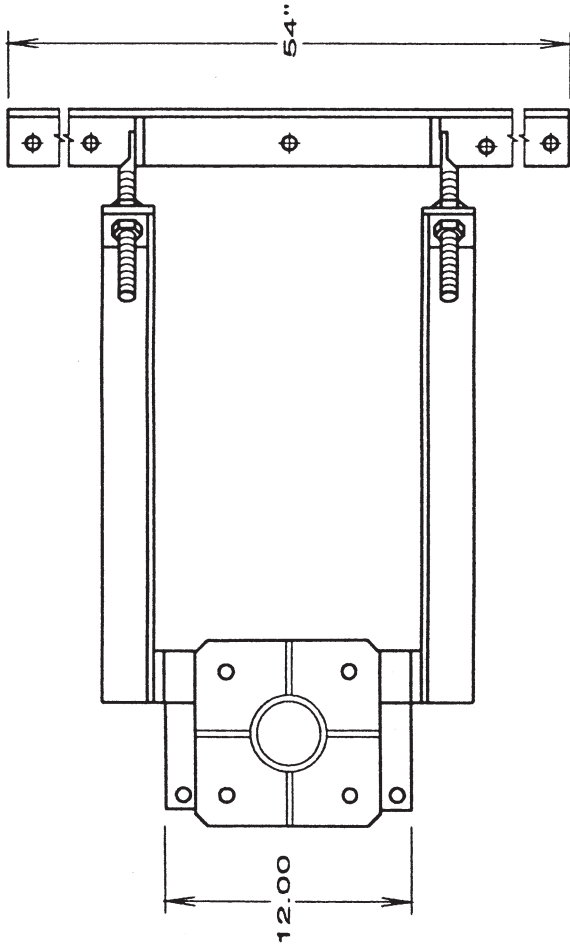
ROOF-SLAB PENETRATING MOUNT

PRODUCT SPECIFICATIONS

1. Constructed of high test steel.
2. Hot dip galvanized.
3. Mount adjusts for installation on pitched roofs and sloping surfaces.
4. Adjustable turnbuckle tightener.
5. Drop shipped direct to installers.
6. U.P.S. shippable.

TYPICAL USAGE

1. Ku and C band - transmit and receive.
2. Handles up to a 10' (3.0M) antenna.



BAIRD
SATELLITE SUPPORTING SYSTEMS