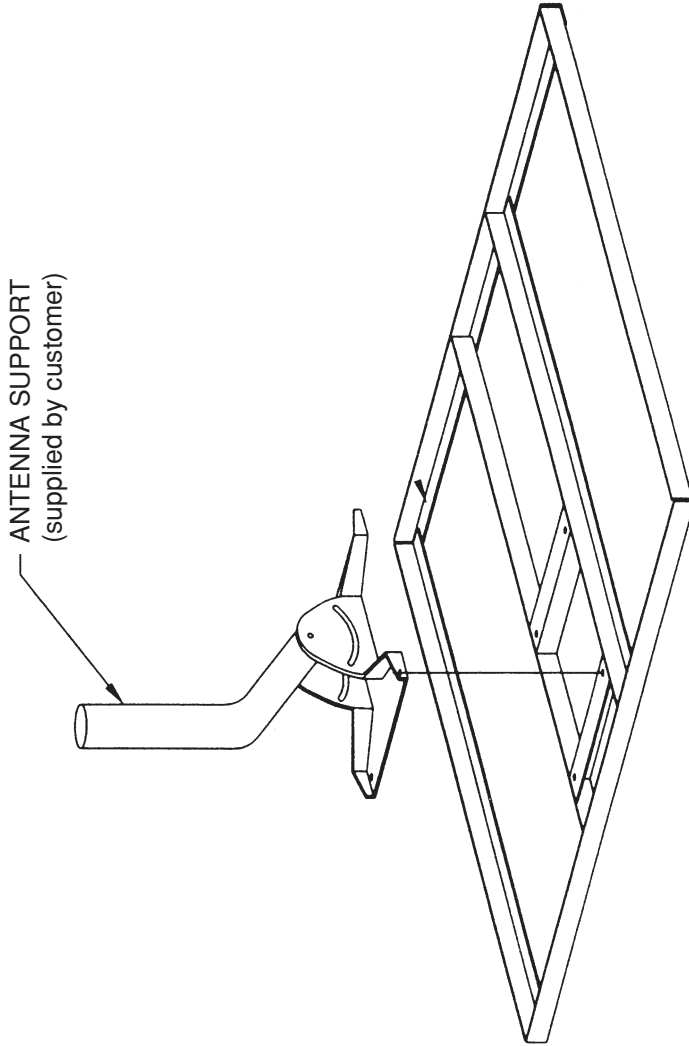




BAIRD Non-Penetrating Support System

The B6-30 is a non-penetrating, flat roof mount designed to handle a 30" DBS/*DSS antenna.



MODEL: B6-30

*DSS is a registered trademark of Direct TV Inc.
a unit of GM Hughes Electronics.



PRODUCT SPECIFICATIONS

MODEL: B6-30

Non-Penetrating, flat roof mounting system.
Handles up to an 30" antenna.

The mount can hold up to ten 8" x 8" x 16" solid concrete blocks.

Footprint - 3.21' x 3.46' = 11.1 sq.ft.

Finish - Hot dip galvanized

A pad can be supplied to isolate the mount from the roof surface.

Ballast required will be recommended based on antenna diameter, type and survival requirements.

It is the customer's responsibility to see that all applicable codes are satisfied. It is suggested that a structural engineer review the application of this product.

Under extreme wind conditions the mount should be tethered with cable.

