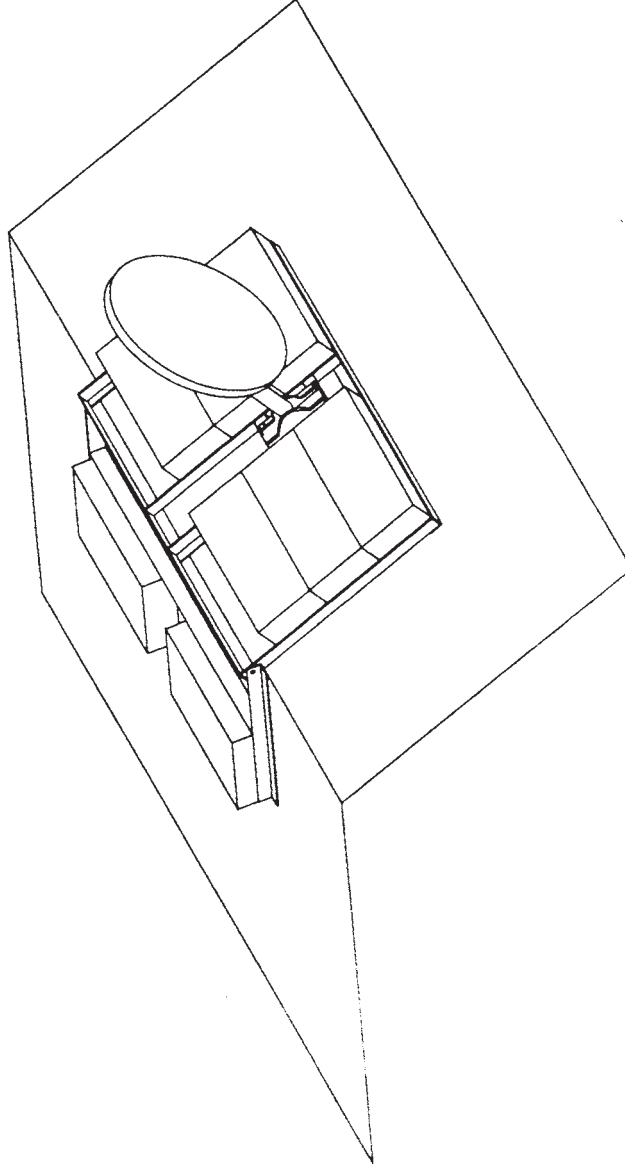




BAIRD Non-Penetrating Support System

The B6-18RM is a non-penetrating, ridgemount designed to handle an 18" DBS/*DSS antenna. The non-penetrating mount allows the antenna to be supported on the roof without bolting the mount to the roof, thus eliminating the possibility of creating a roof leak. Also the non-penetrating mount allows for easy removal when a customer relocates or no longer needs the service.



MODEL: B6-18RM

*DSS is a registered trademark of Direct TV Inc.
a unit of GM Hughes Electronics.



PRODUCT SPECIFICATIONS

MODEL: B6-18RM

Non-Penetrating, ridgemount system.
Handles up to an 18" antenna.

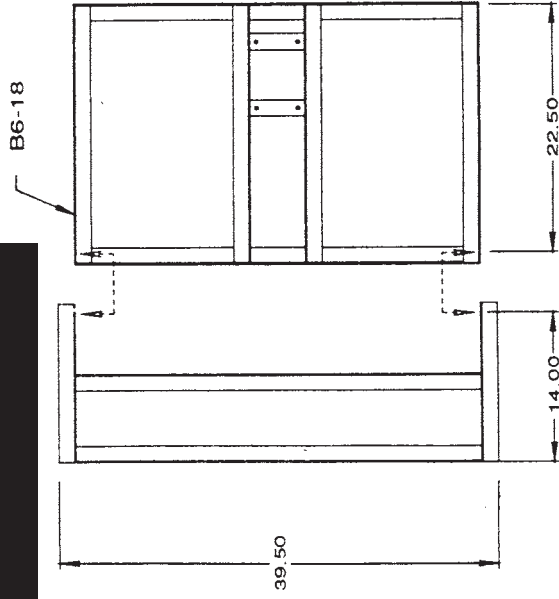
The mount can hold up to eight 4" x 8" x 16" solid concrete blocks, laid flat for a low profile.
Footprint - 3.0' x 3.3' = 9.9 sq.ft.
Finish - Hot dip galvanized

A pad can be supplied to isolate the mount from the roof surface.

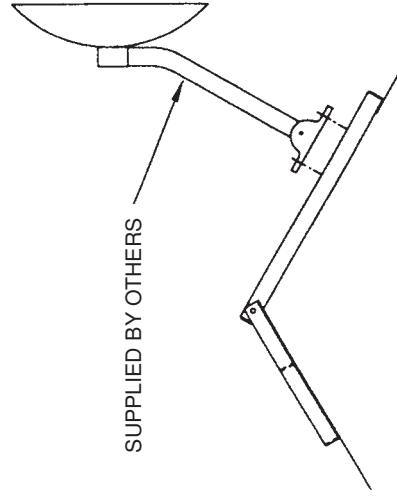
Ballast required will be recommended based on antenna diameter, type and survival requirements.

It is the customer's responsibility to see that all applicable codes are satisfied. It is suggested that a structural engineer review the application of this product.

Under extreme wind conditions the mount should be tethered with cable.



PLAN VIEW



ADJUSTS TO FIT ROOF PITCH

