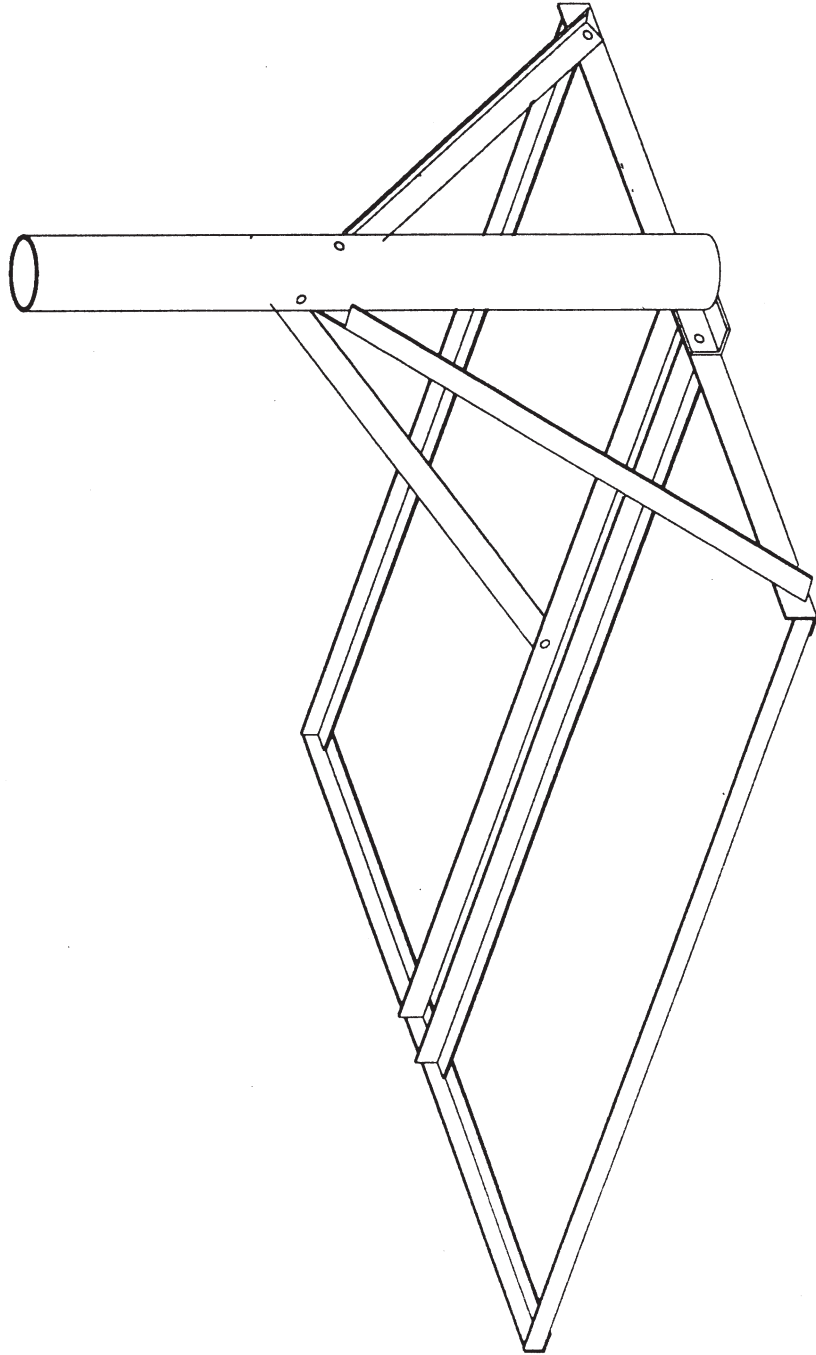


BAIRD Non-Penetrating Support System

MODEL: B3-34x40

The B3-34x40 is a non-penetrating antenna supporting system designed to handle a 1.0M antenna. The mounts five pieces are easily assembled and the hot dip galvanized coating offers excellent corrosion protection.





PRODUCT SPECIFICATIONS

MODEL: B3-34x40

Non-Penetrating, flat roof mounting system.
Handles up to an 1.0M antenna.

The mount can hold up to ten 8" x 8" x 16" solid concrete blocks.

Footprint - 2.91' x 3.33' = 9.69 sq.ft.

Finish - Hot dip galvanized

Mast Diameter - 3" O.D. max.

Mast Height - 30" max. (most cases)

A pad can be supplied to isolate the mount from the roof surface.

Ballast required will be recommended based on antenna diameter, type and survival requirements.

It is the customer's responsibility to see that all applicable codes are satisfied. It is suggested that a structural engineer review the application of this product.

Under extreme wind conditions the mount should be tethered with cable.

