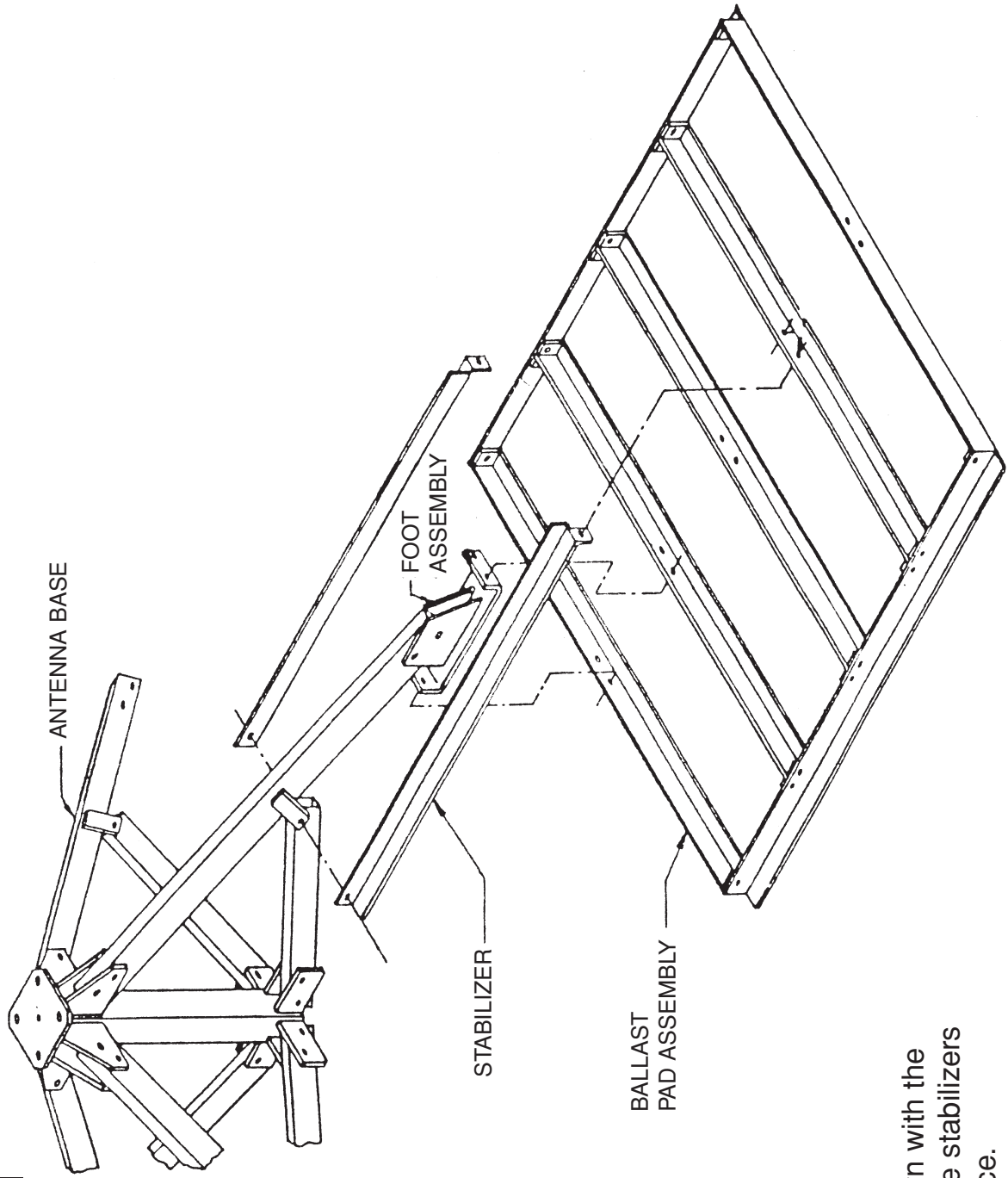




# PAD OPTION 5'4" X 6' PAD WITH STABILIZERS



The 5'4" X 6' pad option shown with the antenna base to show how the stabilizers attach to the mounting surface.